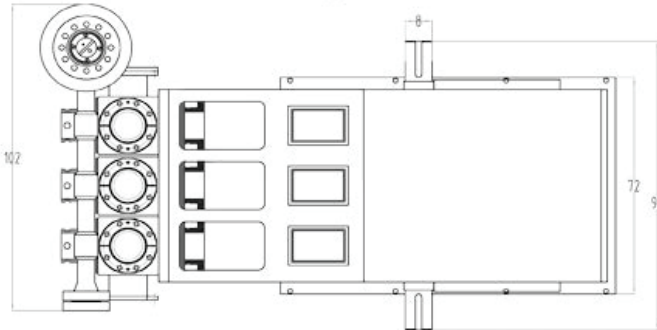
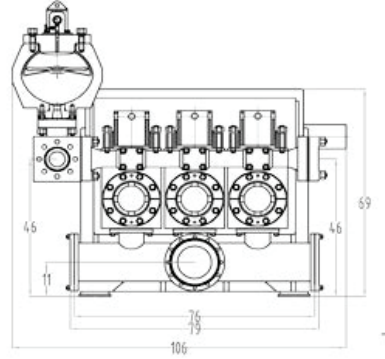
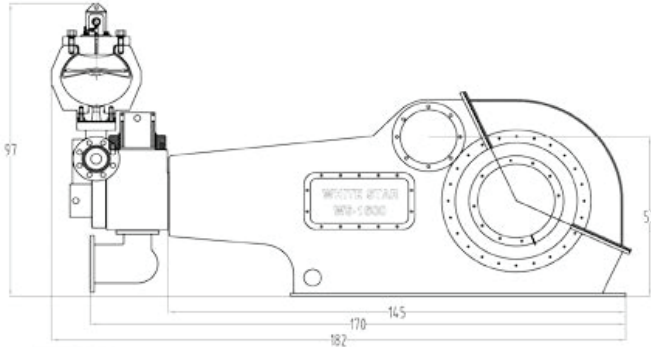
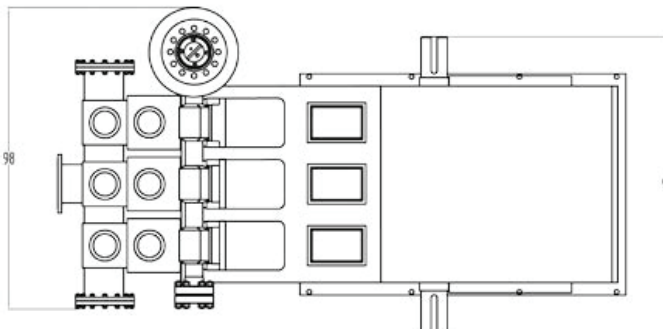
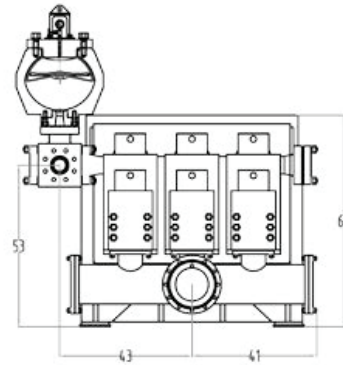
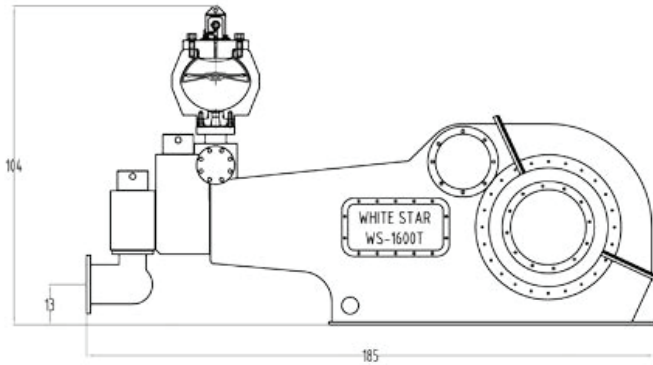


Triplex Mud Pump [Triplex Schematics]



OVERALL DIMENSIONS: 182" X 96" X 97"
 TOTAL WEIGHT: 64,000 lbs (29, 029 Kg)



OVERALL DIMENSIONS: 185" X 96" X 104"
 TOTAL WEIGHT: 65,293 lbs (29,616 Kg)